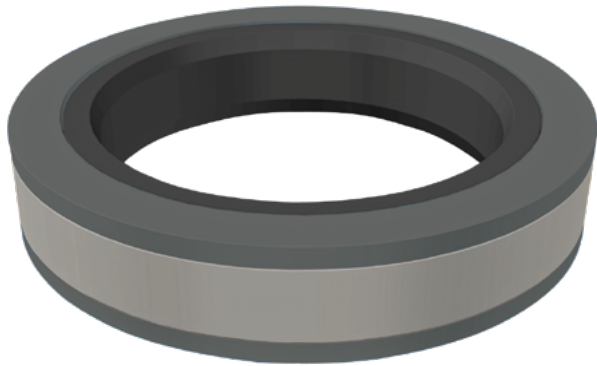


Capped T- Seals

METRIC SEALS



Seal (Cap) Materials	Temp. Range	
15% Glass, 5% Moly filled PTFE	-200°C	to 260°C
40% Bronze filled PTFE	-200°C	to 260°C
Energizer Materials		
Nitrile	-40°C	to 120°C
Low Temp. Nitrile	-54°C	to 116°C
Viton™/Fluorocarbon	-26°C	to 204°C
Ethylene Propylene	-54°C	to 150°C
Back-up Ring Materials		
Nylon	-54°C	to 121°C
PEEK	-70°C	to 260°C

Product Description

Capped T-seals are a double-acting, high pressure, high performance piston seal. They are designed to accommodate large extrusion gaps. The major benefits of this design are its excellent extrusion resistance, low friction, and low wear, all pre-sented in a compact and stable design. Standard capped T-seals consist of four pieces, including, a nitrile energizer, a filled PTFE cap, and two nylon anti-extrusion rings.

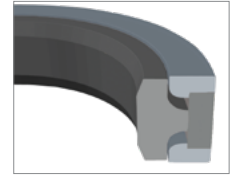
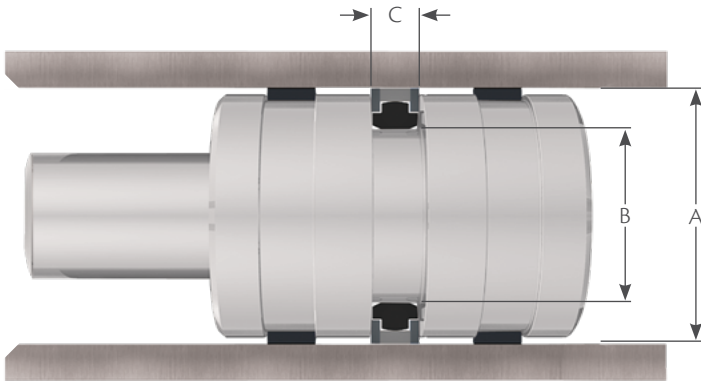
Capped T-Seals are available in an inter-locking design, upon request. This design eases the installation process and reduce the change of installing the back-up rings incorrectly.

Part Numbers:

M4P - _____
 | | | |
 O.D. I.D. Width Material - if other than standard

Example: M4P 10085125 - Capped T-Seal, 85.00 mm I.D., 100.00 mm O.D., 12.50 mm Width

Capped T- Seals



Capped T-Seals

Part Number	Groove Dimensions						Nominal C/S	Piston Clearance	
	A		B		C			w/o Wear Ring	w/ Wear Ring
	Bore Diameter	Tolerance	Groove Diameter	Tolerance	Groove Width	Tolerance			
M4P 50369	50.00	0.05/-0.00	36.00	0.00/-0.05	9.00	0.25/-0.00	7.00	0.15	0.76
M4P 50408	50.00	0.05/-0.00	40.00	0.00/-0.05	8.00	0.25/-0.00	5.00	0.15	0.76
M4P 55419	55.00	0.05/-0.00	41.00	0.00/-0.05	9.00	0.25/-0.00	7.00	0.15	0.76
M4P 60469	60.00	0.05/-0.00	46.00	0.00/-0.05	9.00	0.25/-0.00	7.00	0.15	0.76
M4P 60508	60.00	0.05/-0.00	50.00	0.00/-0.05	8.00	0.25/-0.00	5.00	0.15	0.76
M4P 63538	63.00	0.05/-0.00	53.00	0.00/-0.05	8.00	0.25/-0.00	5.00	0.15	0.76
M4P 655011	65.00	0.08/-0.00	50.00	0.00/-0.08	11.00	0.25/-0.00	7.50	0.20	0.94
M4P 65519	65.00	0.05/-0.00	51.00	0.00/-0.05	9.00	0.25/-0.00	7.00	0.15	0.76
M4P 705511	70.00	0.08/-0.00	55.00	0.00/-0.08	11.00	0.25/-0.00	7.50	0.20	0.94
M4P 7055125	70.00	0.08/-0.00	55.00	0.00/-0.08	12.50	0.25/-0.00	7.50	0.20	0.94
M4P 70608	70.00	0.05/-0.00	60.00	0.00/-0.05	8.00	0.25/-0.00	5.00	0.15	0.76
M4P 756011	75.00	0.08/-0.00	60.00	0.00/-0.08	11.00	0.25/-0.00	7.50	0.20	0.94
M4P 75639	75.00	0.05/-0.00	63.00	0.00/-0.05	9.00	0.25/-0.00	6.00	0.15	0.76
M4P 806511	80.00	0.08/-0.00	65.00	0.00/-0.08	11.00	0.25/-0.00	7.50	0.20	0.94
M4P 806512	80.00	0.08/-0.00	65.00	0.00/-0.08	12.00	0.25/-0.00	7.50	0.20	0.94
M4P 8065125	80.00	0.08/-0.00	65.00	0.00/-0.08	12.50	0.25/-0.00	7.50	0.20	0.94
M4P 857011	85.00	0.08/-0.00	70.00	0.00/-0.08	11.00	0.25/-0.00	7.50	0.20	0.94
M4P 857012	85.00	0.08/-0.00	70.00	0.00/-0.08	12.00	0.25/-0.00	7.50	0.20	0.94
M4P 907511	90.00	0.08/-0.00	75.00	0.00/-0.08	11.00	0.25/-0.00	7.50	0.20	0.94
M4P 9075125	90.00	0.08/-0.00	75.00	0.00/-0.08	12.50	0.25/-0.00	7.50	0.20	0.94
M4P 958011	95.00	0.08/-0.00	80.00	0.00/-0.08	11.00	0.25/-0.00	7.50	0.20	0.94
M4P 10085125	100.00	0.08/-0.00	85.00	0.00/-0.08	12.50	0.25/-0.00	7.50	0.20	0.94
M4P 10590125	105.00	0.08/-0.00	90.00	0.00/-0.08	12.50	0.25/-0.00	7.50	0.20	0.94
M4P 11095125	110.00	0.08/-0.00	95.00	0.00/0.08	12.50	0.25/-0.00	7.50	0.20	0.94
M4P 115100125	115.00	0.08/-0.00	100.00	0.00/-0.08	12.50	0.25/-0.00	7.50	0.20	0.94
M4P 12010016	120.00	0.10/-0.00	100.00	0.00/-0.10	16.00	0.25/-0.00	10.00	0.25	1.12
M4P 120105125	120.00	0.08/-0.00	105.00	0.00/-0.08	12.50	0.25/-0.00	7.50	0.20	0.94
M4P 12510216	125.00	0.10/-0.00	102.00	0.00/-0.10	16.00	0.25/-0.00	11.50	0.25	1.12
M4P 12510516	125.00	0.10/-0.00	105.00	0.00/-0.10	16.00	0.25/-0.00	10.00	0.25	1.12
M4P 13010716	130.00	0.10/-0.00	107.00	0.00/-0.10	16.00	0.25/-0.00	11.50	0.25	1.12

Capped T- Seals

METRIC SEALS



Capped T- Seals

Part Number	Groove Dimensions						Nominal C/S	Piston Clearance	
	A		B		C			w/o Wear Ring	w/ Wear Ring
	Bore Diameter	Tolerance	Groove Diameter	Tolerance	Groove Width	Tolerance			
M4P 13011016	130.00	0.10/-0.00	110.00	0.00/-0.10	16.00	0.25/-0.00	10.00	0.25	1.12
M4P 13511216	135.00	0.10/-0.00	112.00	0.00/-0.10	16.00	0.25/-0.00	11.50	0.25	1.12
M4P 14011716	140.00	0.10/-0.00	117.00	0.00/-0.10	16.00	0.25/-0.00	11.50	0.25	1.12
M4P 14012016	140.00	0.10/-0.00	120.00	0.00/-0.10	16.00	0.25/-0.00	10.00	0.25	1.12
M4P 14012019	140.00	0.08/-0.00	120.00	0.00/-0.08	19.00	0.25/-0.00	10.00	0.25	1.12
M4P 14512216	145.00	0.10/-0.00	122.00	0.00/-0.10	16.00	0.25/-0.00	11.50	0.25	1.12
M4P 15012716	150.00	0.10/-0.00	127.00	0.00/-0.10	16.00	0.25/-0.00	11.50	0.25	1.12
M4P 15013019	150.00	0.08/-0.00	130.00	0.00/-0.08	19.00	0.25/-0.00	10.00	0.25	1.12
M4P 15513216	155.00	0.10/-0.00	132.00	0.00/-0.10	16.00	0.25/-0.00	11.50	0.25	1.12
M4P 16013716	160.00	0.10/-0.00	137.00	0.00/-0.10	16.00	0.25/-0.00	11.50	0.25	1.12
M4P 16014016	160.00	0.10/-0.00	140.00	0.00/-0.10	16.00	0.25/-0.00	10.00	0.25	1.12
M4P 16014019	160.00	0.08/-0.00	140.00	0.00/-0.08	19.00	0.25/-0.00	10.00	0.25	1.12
M4P 16514216	165.00	0.10/-0.00	142.00	0.00/-0.10	16.00	0.25/-0.00	11.50	0.25	1.12
M4P 17014716	170.00	0.10/-0.00	147.00	0.00/-0.10	16.00	0.25/-0.00	11.50	0.25	1.12
M4P 17015016	170.00	0.10/-0.00	150.00	0.00/-0.10	16.00	0.25/-0.00	10.00	0.25	1.12
M4P 18015716	180.00	0.10/-0.00	157.00	0.00/-0.10	16.00	0.25/-0.00	11.50	0.25	1.12
M4P 18016016	180.00	0.10/-0.00	160.00	0.00/-0.10	16.00	0.25/-0.00	10.00	0.25	1.12
M4P 18516216	185.00	0.10/-0.00	162.00	0.00/-0.10	16.00	0.25/-0.00	11.50	0.25	1.12
M4P 19016716	190.00	0.10/-0.00	167.00	0.00/-0.10	16.00	0.25/-0.00	11.50	0.25	1.12
M4P 20017716	200.00	0.10/-0.00	177.00	0.00/-0.10	16.00	0.25/-0.00	11.50	0.25	1.12
M4P 21018716	210.00	0.10/-0.00	187.00	0.00/-0.10	16.00	0.25/-0.00	11.50	0.25	1.12
M4P 22019716	220.00	0.10/-0.00	197.00	0.00/-0.10	16.00	0.25/-0.00	11.50	0.25	1.12
M4P 22520216	225.00	0.10/-0.00	202.00	0.00/-0.10	16.00	0.25/-0.00	11.50	0.25	1.12
M4P 23020716	230.00	0.10/-0.00	207.00	0.00/-0.10	16.00	0.25/-0.00	11.50	0.25	1.12
M4P 24021716	240.00	0.10/-0.00	217.00	0.00/-0.10	16.00	0.25/-0.00	11.50	0.25	1.12
M4P 250222175	250.00	0.13/-0.00	222.00	0.00/-0.13	17.50	0.25/-0.00	14.00	0.25	1.12
M4P 260232175	260.00	0.13/-0.00	232.00	0.00/-0.13	17.50	0.25/-0.00	14.00	0.25	1.12
M4P 270242175	270.00	0.13/-0.00	242.00	0.00/-0.13	17.50	0.25/-0.00	14.00	0.25	1.12
M4P 280252175	280.00	0.13/-0.00	252.00	0.00/-0.13	17.50	0.25/-0.00	14.00	0.25	1.12
M4P 300272175	300.00	0.13/-0.00	272.00	0.00/-0.13	17.50	0.25/-0.00	14.00	0.25	1.12
M4P 320292175	320.00	0.13/-0.00	292.00	0.00/-0.13	17.50	0.25/-0.00	14.00	0.25	1.12