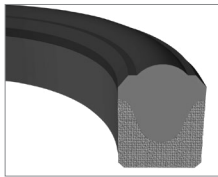
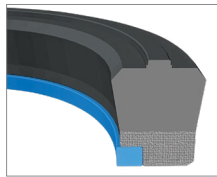


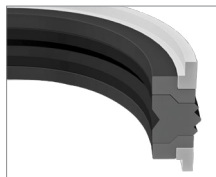
Elastomer Materials	Temp. Range
Nitrile (NBR)	-40°C to 120°C
Viton™/Fluorocarbon (FKM)	-26°C to 204°C
Ethylene Propylene (EPDM)	-54°C to 150°C
Chloroprene (CR)	-40°C to 121°C
Aflas® (FEPM)	-9°C to 232°C
Anti-Extrusion Material	
Acetal (POM)	-40°C to 100°C
Nylon (PA)	-30°C to 93°C



Single Acting  
Fabric Base (SAM)



Single Acting  
Fabric Base w/  
Anti-Extrusion (SAM)



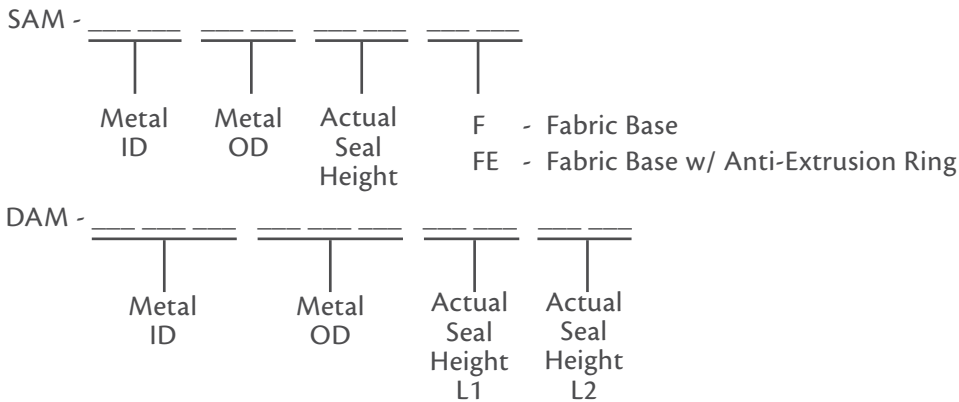
Double Acting (DAM)

## Product Description

Single acting fluid seals (SAM) can work both as a piston or rod seal. Our standard material is an NBR sealing element with a fabric reinforced base. Corresponding wear rings are sold separately.

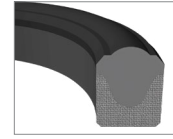
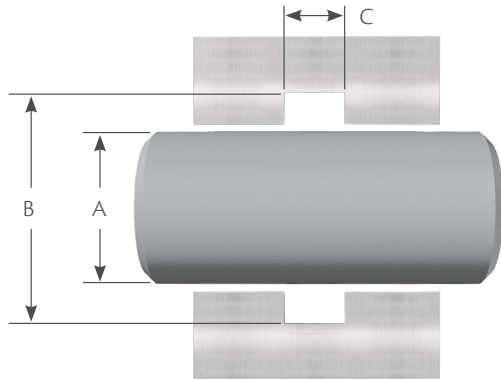
Our double acting fluid seals (DAM) are designed for use on split pistons. DAM's are composed of an NBR rubber sealing element, two inner anti-extrusion rings, and two outer acetal wear rings.

## Part Numbers:

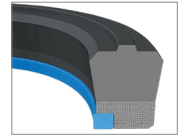


**Example:** SAM 70 90 14 FE - Single Acting Fluid Seal, Anti-Extrusion Ring, 70 mm ID, 90 mm OD, 14 mm Height  
 DAM 60 80 22 34 - Double Acting Metric Seal, Anti-Extrusion Ring, 60 mm ID, 80 mm OD, 22 x 34 mm Height

## Single Acting



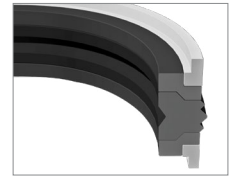
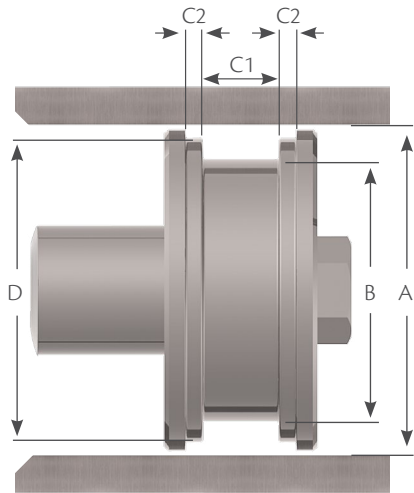
F



FE

Actual Seal Height	C Groove Width +0.20/-0.00
6.00	6.30
7.00	7.50
7.50	8.00
8.00	8.50
9.00	9.50
10.00	10.60
10.20	11.00
11.00	11.70
11.30	12.00
11.50	12.20
12.00	12.50
13.00	14.00
15.00	16.00
16.00	17.00
18.80	20.00

## Double Acting



Part Number	Bore Diameter		Groove Diameter	Groove Diameter	Groove Width		
	A	B			D	C1 +0.20/-0.00	C2 +0.10/-0.00
DAM 15251220	25.00	15.00	22.00	12.50	4.00	20.50	
DAM 213013175	30.00	21.00	27.00	13.50	2.10	17.70	
DAM 22321520	32.00	22.00	28.00	15.50	2.60	20.70	
DAM 22321628	32.00	22.00	28.50	16.40	6.35	29.10	
DAM 24401830	40.00	24.00	35.40	18.40	6.35	31.10	
DAM 25351520	35.00	25.00	31.00	15.50	2.60	20.70	
DAM 25351629	35.00	25.00	31.40	16.40	6.35	29.10	
DAM 26401520	40.00	26.00	36.00	15.50	2.60	20.70	
DAM 29451831	45.00	29.00	40.40	18.40	6.35	31.10	
DAM 30401220	40.00	30.00	36.00	12.50	4.00	20.50	
DAM 30401628	40.00	30.00	35.40	16.40	6.35	29.10	
DAM 31451520	45.00	31.00	41.00	15.50	2.60	20.70	
DAM 32401521	40.00	32.00	36.00	15.50	3.20	21.90	
DAM 34501831	50.00	34.00	45.40	18.40	6.35	31.10	
DAM 34502026	50.00	34.00	46.00	20.50	3.10	26.70	
DAM 38502028	50.00	38.00	46.00	20.50	4.20	28.90	
DAM 39551830	55.00	39.00	50.36	18.40	6.35	31.10	
DAM 39552026	55.00	39.00	51.00	20.50	3.10	26.70	
DAM 40501220	50.00	40.00	47.00	12.50	4.00	20.50	
DAM 44601831	60.00	44.00	55.40	18.40	6.35	31.10	
DAM 44602026	60.00	44.00	56.00	20.50	3.10	26.70	
DAM 45551220	55.00	45.00	52.00	12.50	4.00	20.50	
DAM 47631830	63.00	47.00	58.40	18.40	6.35	31.10	
DAM 47631932	63.00	47.00	58.40	19.40	6.35	32.10	
DAM 47632026	63.00	47.00	59.00	20.50	3.10	26.70	

## Double Acting

Part Number	Bore Diameter	Groove Diameter	Groove Diameter	Groove Width		
	A	B	D	C1 +0.20/-0.00	C2 +0.10/-0.00	C1+2xC2 (REF)
DAM 48602028	60.00	48.00	56.00	20.50	4.20	28.90
DAM 49652026	65.00	49.00	61.00	20.50	3.10	26.70
DAM 50651831	65.00	50.00	60.40	18.40	6.35	31.10
DAM 50702234	70.00	50.00	64.20	22.40	6.35	35.10
DAM 51632028	63.00	51.00	59.00	20.50	4.20	28.90
DAM 536312520	63.00	53.00	60.00	12.50	4.00	20.50
DAM 54702026	70.00	54.00	66.00	20.50	3.10	26.70
DAM 55752234	75.00	55.00	69.20	22.40	6.35	35.10
DAM 58702029	70.00	58.00	66.00	20.50	4.20	28.90
DAM 59752026	75.00	59.00	71.00	20.50	3.10	26.70
DAM 60802234	80.00	60.00	74.15	22.40	6.35	35.10
DAM 62802229	80.00	62.00	76.00	22.50	3.60	29.70
DAM 637520528	75.00	63.00	71.00	20.50	4.20	28.90
DAM 65802028	80.00	65.00	76.00	20.00	5.00	30.00
DAM 65852234	85.00	65.00	79.15	22.40	6.35	35.10
DAM 66802233	80.00	66.00	76.00	22.50	5.20	32.90
DAM 70902234	90.00	70.00	84.15	22.40	6.35	35.10
DAM 72902229	90.00	72.00	86.00	22.50	3.60	29.70
DAM 75952236	95.00	75.00	89.15	22.40	6.35	35.10
DAM 751002234	100.00	75.00	93.15	22.40	6.35	35.10
DAM 76902232	90.00	76.00	86.00	22.50	5.20	32.90
DAM 801002240	100.00	80.00	95.00	25.00	6.30	37.60
DAM 801052235	105.00	80.00	98.10	22.40	6.35	35.10
DAM 821002230	100.00	82.00	96.00	22.50	3.60	29.70
DAM 851002030	100.00	85.00	96.00	20.00	5.00	30.00
DAM 851102235	110.00	85.00	103.10	22.40	6.35	35.10
DAM 861002232	100.00	86.00	96.00	22.50	5.20	32.90
DAM 901152235	115.00	90.00	108.10	22.40	6.35	35.10
DAM 921102230	110.00	92.00	106.00	22.50	3.60	29.70
DAM 951202235	120.00	95.00	113.10	22.40	6.35	35.10
DAM 1001252538	125.00	100.00	118.10	25.40	6.35	38.10
DAM 1031252636	125.00	103.00	121.00	26.50	5.10	36.70
DAM 10512525376	125.00	105.00	120.00	25.00	6.30	37.60
DAM 1051302537	130.00	105.00	123.10	25.40	6.35	38.10
DAM 1101352544	135.00	110.00	127.60	25.40	9.50	44.40
DAM 1151402537	140.00	115.00	133.00	25.40	6.35	38.10
DAM 1151402544	140.00	115.00	132.60	25.40	9.50	44.40
DAM 1201452538	145.00	120.00	137.60	25.40	9.50	44.40
DAM 1251502544	150.00	125.00	142.60	25.40	9.50	44.40
DAM 1301602444	160.00	130.00	152.60	25.40	9.50	44.40
DAM 1301602538	160.00	130.00	153.00	25.40	6.35	38.10
DAM 1351602544	160.00	135.00	152.60	25.40	9.50	44.40

Part Number	Bore Diameter	Groove Diameter	Groove Diameter	Groove Width		
	A	B	D	C1 +0.20/-0.00	C2 +0.10/-0.00	C1+2xC2 (REF)
DAM 1401652544	165.00	140.00	157.60	25.40	9.50	44.40
DAM 1431602040	160.00	143.00	156.00	26.50	7.20	40.90
DAM 1451702550	170.00	145.00	161.70	25.40	12.70	50.80
DAM 1501752550	175.00	150.00	166.70	25.40	12.70	50.80
DAM 1501803446	180.00	150.00	172.95	35.40	6.35	48.10
DAM 1651902550	190.00	165.00	181.70	25.40	12.70	50.80
DAM 1752002550	200.00	175.00	191.60	25.40	12.70	50.80
DAM 1952202550	220.00	195.00	211.60	25.40	12.70	50.80
DAM 2152402550	240.00	215.00	231.60	25.40	12.70	50.80