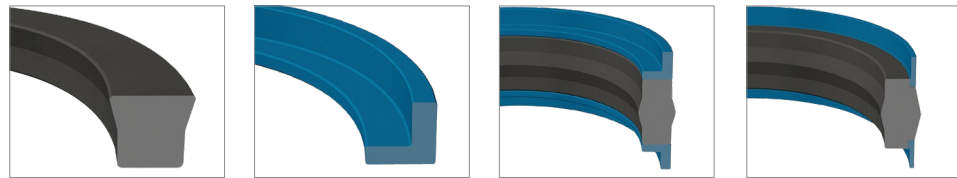
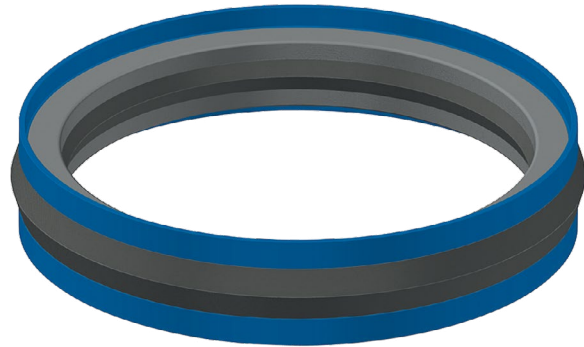


Seal Materials	Temp. Range
Nitrile (NBR)	-40°C to 120°C
Viton™/Fluorocarbon (FKM)	-26°C to 204°C
Back-Up Rings Materials	
Acetal (POM)	-40°C to 100°C



Single Acting (SAF)

SAF Wear Ring

Double Acting Loose Wear Rings (DAF-LW)

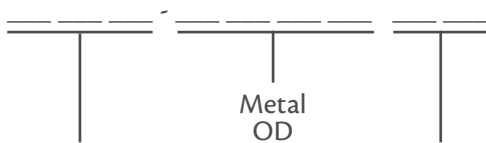
Double Acting Locking Wear Rings (DAF-W)

Product Description

Single acting (SAF) fluid seals can work both as a piston or rod seal. Standard material is an NBR sealing material with a fabric-reinforced base. Single-acting fluid seals with a wear ring (SAF Wear Ring) are sold separately; contact us for dimension information.

Our double acting (DAF) fluid seals are designed for use on split pistons. They are available in two styles: loose wear rings (LW) and locking wear rings (W). They are composed of an NBR sealing element, bonded fabric-reinforced base and two POM wear rings.

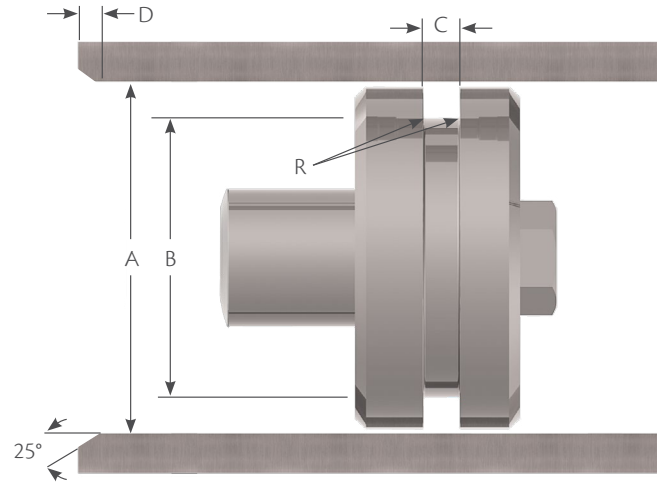
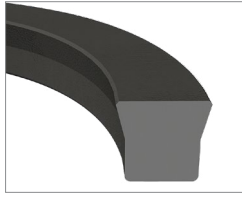
Part Numbers:



SAF - Single Acting
DAF - Double Acting

WR - SAF Wear Ring
LW - DAF Loose Wear Ring
W - DAF Locking Wear Ring
Material - if other than standard

Single Acting

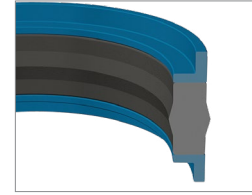
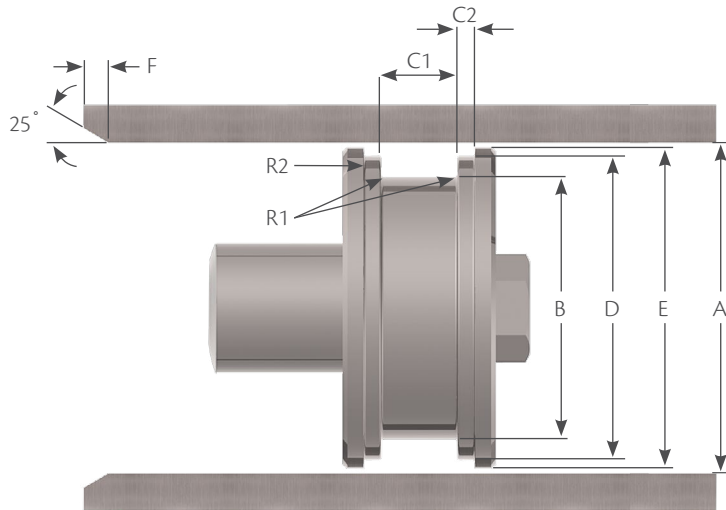


Part Number	A Bore Dia.	B Groove Dia.	C Groove Width +0.025 / +0.015	D Min.	R Radius Max.
SAF 1250	1.250	0.750	0.375	0.125	0.015
SAF 1625	1.625	1.000	0.437	0.156	0.015
SAF 1750	1.750	1.125	0.437	0.156	0.015
SAF 1875	1.875	1.250	0.437	0.156	0.015
SAF 2000	2.000	1.375	0.437	0.156	0.015
SAF 2125	2.125	1.500	0.437	0.156	0.015
SAF 2250	2.250	1.625	0.437	0.156	0.015
SAF 2375	2.375	1.750	0.437	0.156	0.015
SAF 2500	2.500	1.875	0.437	0.156	0.015
SAF 2625	2.625	2.000	0.437	0.156	0.015
SAF 2750	2.750	2.000	0.562	0.187	0.032
SAF 2875	2.875	2.125	0.562	0.187	0.032
SAF 3000	3.000	2.250	0.562	0.187	0.032
SAF 3125	3.125	2.375	0.562	0.187	0.032
SAF 3250	3.250	2.500	0.562	0.187	0.032
SAF 3375	3.375	2.625	0.562	0.187	0.032
SAF 3500	3.500	2.750	0.562	0.187	0.032
SAF 3625	3.625	2.875	0.562	0.187	0.032
SAF 3750	3.750	3.000	0.562	0.187	0.032

Part Number	A Bore Dia.	B Groove Dia.	C Groove Width +0.025 / +0.015	D Min.	R Radius Max.
SAF 4002	4.000	3.000	0.625	0.250	0.032
SAF 4001	4.000	3.250	0.562	0.187	0.032
SAF 4000	4.000	3.250	0.500	0.187	0.032
SAF 4125	4.125	3.375	0.562	0.187	0.032
SAF 4250	4.250	3.500	0.562	0.187	0.032
SAF 4500	4.500	3.500	0.562	0.250	0.032
SAF 4625	4.625	3.625	0.750	0.250	0.032
SAF 4750	4.750	3.750	0.750	0.250	0.032
SAF 5000	5.000	4.250	0.562	0.187	0.032
SAF 5250	5.250	4.250	0.750	0.250	0.032
SAF 5500	5.500	4.500	0.750	0.250	0.032
SAF 5750	5.750	4.750	0.750	0.250	0.032
SAF 6000	6.000	5.250	0.562	0.250	0.032
SAF 6250	6.250	5.250	0.875	0.250	0.032
SAF 6500	6.500	5.500	0.750	0.250	0.032
SAF 6750	6.750	5.750	0.750	0.250	0.032
SAF 7000	7.000	6.000	0.750	0.250	0.032
SAF 7750	7.750	6.500	1.000	0.250	0.046
SAF 8000	8.000	7.000	0.875	0.250	0.032

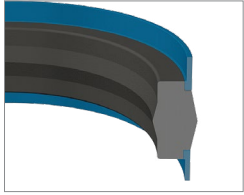
Additional sizes are available upon request. Contact us for further information.

Double Acting Loose Wear Rings



Part Number	A Bore Diameter	B Groove Diameter	D Groove Step Dia.	E Piston Diameter	C1 Groove Width +0.025 / +0.015	C2 Groove Width +0.005 / -0.000	F Min.	R1/R2 Radius Max.
DAF 0750LW	0.750	0.375	0.615	0.718	0.593	0.182	0.093	0.008
DAF 1000LW	1.000	0.625	0.865	0.968	0.593	0.182	0.093	0.008
DAF 1125LW	1.125	0.625	0.990	1.093	0.750	0.241	0.125	0.008
DAF 1250LW	1.250	0.750	1.115	1.218	0.750	0.245	0.125	0.008
DAF 1375LW	1.375	0.875	1.241	1.343	0.750	0.245	0.125	0.008
DAF 1500LW	1.500	1.000	1.365	1.468	0.750	0.245	0.125	0.008
DAF 1625LW	1.625	1.000	1.428	1.562	0.937	0.245	0.156	0.008
DAF 1750LW	1.750	1.125	1.552	1.687	0.937	0.245	0.156	0.008
DAF 2000LW	2.000	1.375	1.802	1.937	0.937	0.245	0.156	0.008
DAF 2250LW	2.250	1.625	2.052	2.187	0.937	0.245	0.156	0.008
DAF 2375LW	2.375	1.750	2.177	2.312	0.937	0.245	0.156	0.008
DAF 2500LW	2.500	1.875	2.302	2.437	0.937	0.245	0.156	0.008
DAF 2625LW	2.625	2.000	2.428	2.562	0.937	0.245	0.156	0.008
DAF 2750LW	2.750	2.000	2.482	2.687	1.187	0.245	0.187	0.008
DAF 3000LW	3.000	2.250	2.732	2.937	1.187	0.245	0.187	0.008
DAF 3250LW	3.250	2.500	2.982	3.187	1.187	0.245	0.187	0.008
DAF 3500LW	3.500	2.750	3.232	3.437	1.187	0.245	0.187	0.008
DAF 3750LW	3.750	3.000	3.482	3.687	1.187	0.245	0.187	0.008
DAF 4000LW	4.000	3.250	3.732	3.937	1.187	0.245	0.187	0.008
DAF 4250LW	4.250	3.500	3.982	4.187	1.187	0.245	0.187	0.008
DAF 4500LW	4.500	3.500	4.232	4.437	1.500	0.370	0.218	0.015
DAF 4750LW	4.750	3.750	4.482	4.687	1.500	0.370	0.218	0.015
DAF 5000LW	5.000	4.000	4.732	4.937	1.500	0.370	0.218	0.015
DAF 5250LW	5.250	4.250	4.982	5.187	1.500	0.370	0.218	0.015
DAF 5500LW	5.500	4.500	5.232	5.437	1.500	0.370	0.218	0.015
DAF 6000LW	6.000	5.000	5.732	5.937	1.500	0.370	0.218	0.015
DAF 6500LW	6.500	5.500	6.232	6.437	1.500	0.370	0.218	0.015
DAF 7000LW	7.000	6.000	6.732	6.937	1.500	0.370	0.218	0.015

Double Acting Locking Wear Rings



Part Number	A Bore Diameter	B Groove Diameter	D Groove Step Dia.	E Piston Diameter	C1 Groove Width +0.025 / +0.015	C2 Groove Width +0.004 / -0.000	F Min.	R1 Radius Max.	R2 Radius Max.
DAF 1000W	1.000	0.625	0.883	0.964	0.468	0.250	0.093	0.008	0.008
DAF 1125W	1.125	0.625	0.986	1.083	0.500	0.250	0.125	0.015	0.008
DAF 1250W	1.250	0.750	1.111	1.208	0.625	0.250	0.125	0.015	0.008
DAF 1500W	1.500	1.000	1.360	1.458	0.625	0.250	0.125	0.015	0.008
DAF 1500W1	1.500	1.000	1.360	1.458	0.625	0.188	0.125	0.015	0.008
DAF 1625W	1.625	1.125	1.485	1.583	0.625	0.250	0.125	0.015	0.008
DAF 1750W	1.750	1.125	1.570	1.698	0.750	0.250	0.156	0.025	0.008
DAF 2000W	2.000	1.375	1.820	1.948	0.750	0.250	0.156	0.025	0.008
DAF 2125W	2.125	1.500	1.944	2.074	0.750	0.250	0.156	0.025	0.008
DAF 2250W	2.250	1.625	2.069	2.197	0.750	0.250	0.156	0.025	0.008
DAF 2375W	2.375	1.750	2.194	2.322	0.750	0.250	0.156	0.025	0.008
DAF 2500W	2.500	1.875	2.319	2.446	0.750	0.250	0.156	0.025	0.008
DAF 2500W1	2.500	1.875	2.302	2.437	0.937	0.250	0.156	0.025	0.008
DAF 2625W	2.625	2.000	2.443	2.571	0.750	0.250	0.156	0.025	0.008
DAF 2750W	2.750	2.000	2.522	2.685	0.937	0.250	0.187	0.031	0.008
DAF 3000W	3.000	2.250	2.772	2.935	0.937	0.250	0.187	0.031	0.008
DAF 3000W1	3.000	2.250	2.772	2.935	1.125	0.250	0.187	0.031	0.008
DAF 3125W	3.125	2.375	2.896	3.060	0.937	0.250	0.187	0.031	0.008
DAF 3250W	3.250	2.500	3.021	3.184	0.937	0.250	0.187	0.031	0.008
DAF 3500W	3.500	2.750	3.271	3.434	0.937	0.250	0.187	0.031	0.008
DAF 3750W	3.750	3.000	3.520	3.683	0.937	0.250	0.187	0.031	0.008
DAF 3875W	3.875	3.125	3.646	3.809	0.937	0.250	0.187	0.031	0.008
DAF 4000W	4.000	3.250	3.770	3.933	0.937	0.250	0.187	0.031	0.008
DAF 4250W	4.250	3.500	4.019	4.182	0.937	0.250	0.187	0.031	0.008
DAF 4500W	4.500	3.500	4.229	4.422	1.250	0.250	0.218	0.046	0.015
DAF 4500W1	4.500	3.500	4.229	4.422	1.500	0.250	0.218	0.046	0.015
DAF 4750W	4.750	3.750	4.478	4.671	1.250	0.250	0.218	0.046	0.015
DAF 5000W	5.000	4.000	4.728	4.921	1.250	0.250	0.218	0.046	0.015
DAF 5250W	5.250	4.250	4.977	5.170	1.250	0.250	0.218	0.046	0.015
DAF 5500W	5.500	4.500	5.227	5.420	1.250	0.250	0.218	0.046	0.015
DAF 5500W1	5.500	4.500	5.232	5.437	1.500	0.370	0.218	0.046	0.015
DAF 5750W	5.750	4.750	5.475	5.669	1.250	0.250	0.218	0.046	0.015
DAF 6000W	6.000	5.000	5.726	5.919	1.250	0.250	0.218	0.046	0.015
DAF 6500W	6.500	5.500	6.226	6.419	1.250	0.250	0.218	0.046	0.015
DAF 7000W	7.000	6.000	6.724	6.917	1.250	0.250	0.218	0.046	0.015
DAF 8000W	8.000	7.000	7.723	7.915	1.250	0.250	0.218	0.046	0.015
DAF 9500W	9.500	8.500	9.225	9.418	1.250	0.250	0.218	0.046	0.015