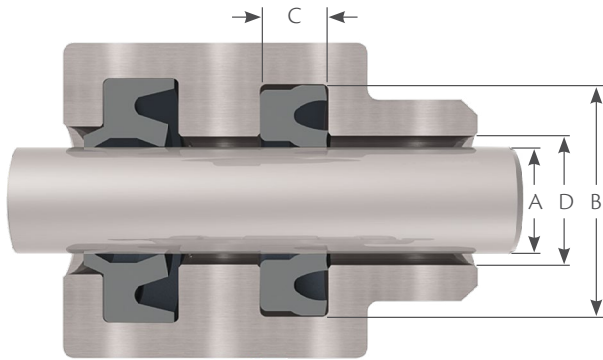
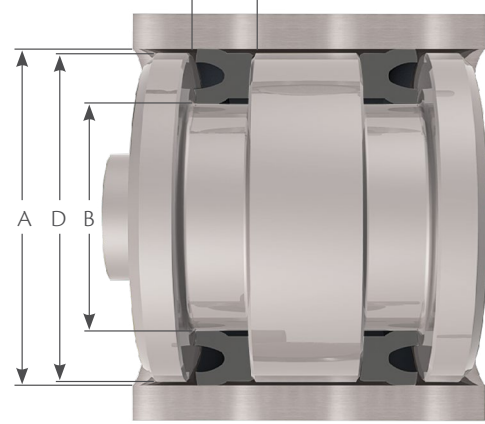


Rod Gland



Piston Gland



Homogenous U-Cups

Rod (Shaft) Gland Application

| A Shaft Diameter | | Seal C/S | B Groove Diameter | | C Groove Width +0.015/ -0.000 | D Throat Diameter | |
|---------------------|----------------|---------------|----------------------|----------------|-------------------------------------|----------------------|----------------|
| Range | Tolerance | | Calculation | Tolerance | | Calculation | Tolerance |
| 0.125 - 0.249 | +0.000/ -0.002 | 02/32 (0.062) | Dia. A + 0.125 | +0.002/ -0.000 | 0.093 | Dia. A + 0.001 | +0.002/ -0.000 |
| 0.250 - 0.374 | +0.000/ -0.002 | 03/32 (0.094) | Dia. A + 0.187 | +0.002/ -0.000 | 0.125 | Dia. A + 0.001 | +0.002/ -0.000 |
| 0.375 - 1.124 | +0.000/ -0.002 | 04/32 (0.125) | Dia. A + 0.250 | +0.002/ -0.000 | 0.156 | Dia. A + 0.001 | +0.002/ -0.000 |
| 1.125 - 1.624 | +0.000/ -0.002 | 05/32 (0.156) | Dia. A + 0.312 | +0.002/ -0.000 | 0.188 | Dia. A + 0.001 | +0.002/ -0.000 |
| 1.625 - 3.249 | +0.000/ -0.002 | 06/32 (0.187) | Dia. A + 0.375 | +0.002/ -0.000 | 0.218 | Dia. A + 0.001 | +0.002/ -0.000 |
| 3.250 - 4.999 | +0.000/ -0.003 | 08/32 (0.250) | Dia. A + 0.500 | +0.003/ -0.000 | 0.281 | Dia. A + 0.002 | +0.003/ -0.000 |
| 5.000 - 5.499 | +0.000/ -0.003 | 09/32 (0.281) | Dia. A + 0.562 | +0.003/ -0.000 | 0.312 | Dia. A + 0.002 | +0.003/ -0.000 |
| 5.500 - 8.999 | +0.000/ -0.003 | 10/32 (0.312) | Dia. A + 0.625 | +0.004/ -0.000 | 0.344 | Dia. A + 0.002 | +0.003/ -0.000 |
| 9.000 + | +0.000/ -0.004 | 12/32 (0.375) | Dia. A + 0.750 | +0.005/ -0.000 | 0.406 | Dia. A + 0.002 | +0.004/ -0.000 |

Piston Gland Application

| A Bore Diameter | | Seal C/S | B Groove Diameter | | C Groove Width +0.015/ -0.000 | D Piston Diameter | |
|--------------------|----------------|---------------|----------------------|----------------|-------------------------------------|----------------------|----------------|
| Range | Tolerance | | Calculation | Tolerance | | Calculation | Tolerance |
| 0.250 - 0.436 | +0.002/ -0.000 | 02/32 (0.062) | Dia. B - 0.125 | +0.000/ -0.002 | 0.093 | Dia. B - 0.001 | +0.000/ -0.001 |
| 0.437 - 0.624 | +0.002/ -0.000 | 03/32 (0.094) | Dia. B - 0.187 | +0.000/ -0.002 | 0.125 | Dia. B - 0.001 | +0.000/ -0.001 |
| 0.625 - 1.374 | +0.002/ -0.000 | 04/32 (0.125) | Dia. B - 0.250 | +0.000/ -0.002 | 0.156 | Dia. B - 0.001 | +0.000/ -0.001 |
| 1.375 - 1.749 | +0.002/ -0.000 | 05/32 (0.156) | Dia. B - 0.312 | +0.000/ -0.002 | 0.188 | Dia. B - 0.001 | +0.000/ -0.001 |
| 1.750 - 2.999 | +0.002/ -0.000 | 06/32 (0.187) | Dia. B - 0.375 | +0.000/ -0.002 | 0.218 | Dia. B - 0.001 | +0.000/ -0.002 |
| 3.000 - 3.999 | +0.003/ -0.000 | 07/32 (0.219) | Dia. B - 0.437 | +0.000/ -0.003 | 0.250 | Dia. B - 0.001 | +0.000/ -0.002 |
| 4.000 - 5.499 | +0.003/ -0.000 | 08/32 (0.250) | Dia. B - 0.500 | +0.000/ -0.003 | 0.281 | Dia. B - 0.001 | +0.000/ -0.002 |
| 5.500 - 6.999 | +0.003/ -0.000 | 09/32 (0.281) | Dia. B - 0.562 | +0.000/ -0.003 | 0.312 | Dia. B - 0.002 | +0.000/ -0.002 |
| 7.000 - 9.999 | +0.003/ -0.000 | 10/32 (0.312) | Dia. B - 0.625 | +0.000/ -0.004 | 0.344 | Dia. B - 0.002 | +0.000/ -0.002 |
| 10.000 - 11.999 | +0.004/ -0.000 | 11/32 (0.344) | Dia. B - 0.687 | +0.000/ -0.004 | 0.375 | Dia. B - 0.002 | +0.000/ -0.002 |
| 12.000 - 13.999 | +0.004/ -0.000 | 12/32 (0.375) | Dia. B - 0.750 | +0.000/ -0.005 | 0.406 | Dia. B - 0.002 | +0.000/ -0.002 |
| 14.000 - 17.999 | +0.004/ -0.000 | 13/32 (0.406) | Dia. B - 0.812 | +0.000/ -0.005 | 0.437 | Dia. B - 0.002 | +0.000/ -0.002 |
| 18.000 + | +0.005/ -0.000 | 14/32 (0.437) | Dia. B - 0.875 | +0.000/ -0.006 | 0.469 | Dia. B - 0.002 | +0.000/ -0.002 |