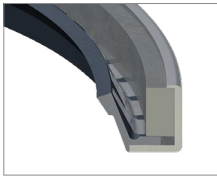
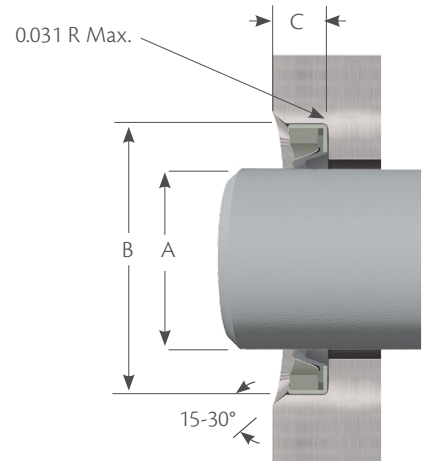


L1M



Hi-Tech Seals standard L1M is composed of a steel outer case, a steel filler ring, a stainless steel finger spring, and a NBR/PTFE sealing material. The sealing material is also available in HNBR/PTFE, VMQ/PTFE, and FKM/PTFE.



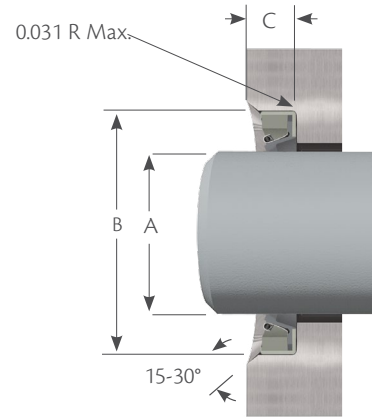
Part Number	Imperial			Metric Equivalent			Garlock Ref. #
	A Shaft Dia.	B Groove Dia.	C Groove Width	A Shaft Dia.	B Groove Dia.	C Groove Width	
O 38754875500L1M	3.875	4.875	0.500	98.42	123.82	12.70	53X-2501
O 40635125500L1M	4.063	5.125	0.500	103.20	130.17	12.70	53X-2570
O 43755375500L1M	4.375	5.375	0.500	111.12	136.52	12.70	53X-2708
O 46875750500L1M	4.687	5.750	0.500	119.04	146.05	12.70	53X-2819
O 48756000500L1M	4.875	6.000	0.500	123.82	152.40	12.70	53X-2873
O 50006250562L1M	5.000	6.250	0.562	127.00	158.75	14.27	53X-2922
O 55007000500L1M	5.500	7.000	0.500	139.70	177.80	12.70	53X-3188
O 56226785625L1M	5.622	6.874	0.625	142.80	174.60	15.87	53X-3192
O 57506875500L1M	5.750	6.875	0.500	146.05	174.62	12.70	53X-3278
O 57507000500L1M	5.750	7.000	0.500	146.05	177.80	12.70	53X-3293
O 58756875500L1M	5.875	6.875	0.500	149.23	174.62	12.70	53X-3316
O 58757000500L1M	5.875	7.000	0.500	149.23	177.80	12.70	53X-3319
O 58757125500L1M	5.875	7.125	0.500	149.23	180.98	12.70	53X-3322
O 60007000500L1M	6.000	7.000	0.500	152.40	177.80	12.70	53X-3355
O 60007250504L1M	6.000	7.250	0.504	152.40	184.15	12.80	53X-3361
O 60007250625L1M	6.000	7.250	0.625	152.40	184.15	15.87	53X-3363
O 60007500500L1M	6.000	7.500	0.500	152.40	190.50	12.70	53X-3367
O 62507750750L1M	6.250	7.750	0.750	158.75	196.85	19.05	53X-3405
O 65007500625L1M	6.500	7.500	0.625	165.10	190.50	15.87	53X-3426
O 65008000625L1M	6.500	8.000	0.625	165.10	203.20	15.87	53X-3434
O 66257743625L1M	6.625	7.743	0.625	168.27	196.67	15.87	53X-3436
O 67507750625L1M	6.750	7.750	0.625	171.45	196.85	15.87	53X-3456
O 67508000625L1M	6.750	8.000	0.625	171.45	203.20	15.87	53X-3460
O 70008000625L1M	7.000	8.000	0.625	177.80	203.20	15.87	53X-3492
O 70008500625L1M	7.000	8.500	0.625	177.80	215.90	15.87	53X-3500
O 71258250625L1M	7.125	8.250	0.625	180.97	209.55	15.87	53X-3508
O 72508500625L1M	7.250	8.500	0.625	184.15	215.90	15.87	53X-3522
O 72508750625L1M	7.250	8.750	0.625	184.15	222.25	15.88	53X-3526
O 78759375687L1M	7.875	9.375	0.687	200.02	238.12	17.45	53X-9176
O 79379125625L1M	7.937	9.125	0.625	201.59	231.77	15.87	53X-3590
O 80009000625L1M	8.000	9.000	0.625	203.20	228.60	15.87	53X-3592

Part Number	Imperial			Metric Equivalent			Garlock Ref. #
	A Shaft Dia.	B Groove Dia.	C Groove Width	A Shaft Dia.	B Groove Dia.	C Groove Width	
O 80009500625L1M	8.000	9.500	0.625	203.20	241.30	15.87	53X-3600
O 80009500687L1M	8.000	9.500	0.687	203.20	241.30	17.45	53X-3921
O 80009500750L1M	8.000	9.500	0.750	203.20	241.30	19.05	53X-3601
O 800010000687L1M	8.000	10.000	0.687	203.20	254.00	17.45	53X-3924
O 825010250812L1M	8.250	10.250	0.812	209.55	260.35	20.62	53X-4499
O 83759875687L1M	8.375	9.875	0.687	212.72	250.82	17.45	53X-3933
O 850010000687L1M	8.500	10.000	0.687	215.90	254.00	17.45	53X-8453
O 850010500100L1M	8.500	10.500	1.000	215.90	266.70	25.40	53X-3610
O 862510125687L1M	8.625	10.125	0.687	219.07	257.17	17.45	53X-3939
O 875010250687L1M	8.750	10.250	0.687	222.25	260.35	17.45	53X-3946
O 875010250750L1M	8.750	10.250	0.750	222.25	260.35	19.05	53X-3104
O 900010500687L1M	9.000	10.500	0.687	228.60	266.70	17.45	53X-3954
O 900010500750L1M	9.000	10.500	0.750	228.60	266.70	19.05	53X-3619
O 900010507625L1M	9.000	10.507	0.625	228.60	266.87	15.87	53X-3620
O 900011000750L1M	9.000	11.000	0.750	228.60	279.40	19.05	53X-3623
O 900011000812L1M	9.000	11.000	0.812	228.60	279.40	20.63	53X-3122
O 912510625687L1M	9.125	10.625	0.687	231.77	269.87	17.45	53X-3957
O 912510750750L1M	9.125	10.750	0.750	231.77	273.05	19.05	53X-3959
O 925010500625L1M	9.250	10.500	0.625	234.95	266.70	15.87	53X-4511
O 925010750687L1M	9.250	10.750	0.687	234.95	273.05	17.45	53X-3963
O 937511000750L1M	9.375	11.000	0.750	238.12	279.40	19.05	53X-3972
O 937511375812L1M	9.375	11.375	0.812	238.12	288.92	20.62	53X-4610
O 950010500625L1M	9.500	10.500	0.625	241.30	266.70	15.87	53X-3977
O 950011250750L1M	9.500	11.250	0.750	241.30	285.75	19.05	53X-3981
O 950011500812L1M	9.500	11.500	0.812	241.30	292.10	20.62	53X-3984
O 975010750625L1M	9.750	10.750	0.625	247.65	273.05	15.87	53X-4513
O 975011250687L1M	9.750	11.250	0.687	247.65	285.75	17.45	53X-3985
O 1000011000562L1M	10.000	11.000	0.562	254.00	279.40	14.28	53X-3660
O 1000011500687L1M	10.000	11.500	0.687	254.00	292.10	17.45	53X-3992
O 1000011500750L1M	10.000	11.500	0.750	254.00	292.10	19.05	53X-3672
O 1000011750750L1M	10.000	11.750	0.750	254.00	298.45	19.05	53X-3994
O 1000011969100L1M	10.000	11.969	1.000	254.00	304.00	25.40	53X-3673
O 1000012000812L1M	10.000	12.000	0.812	254.00	304.80	20.62	53X-3997
O 1000012250812L1M	10.000	12.250	0.812	254.00	311.15	20.62	53X-3669
O 1012511625687L1M	10.125	11.625	0.687	257.17	295.27	17.45	53X-3999
O 1012511750687L1M	10.125	11.750	0.687	257.17	298.45	17.45	53X-5989
O 1025011750623L1M	10.250	11.750	0.623	260.35	298.45	15.82	53X-3123
O 1025011750687L1M	10.250	11.750	0.687	260.35	298.45	17.45	53X-4004
O 1025011750750L1M	10.250	11.750	0.750	260.35	298.45	19.05	53X-4005
O 1050012000687L1M	10.500	12.000	0.687	266.70	304.80	17.45	53X-4011
O 1050012000750L1M	10.500	12.000	0.750	266.70	304.80	19.05	53X-4012
O 1050012500750L1M	10.500	12.500	0.750	266.70	317.50	19.05	53X-3041
O 1050012500812L1M	10.500	12.500	0.812	266.70	317.50	20.62	53X-4017
O 1075012250562L1M	10.750	12.250	0.562	273.05	311.15	14.28	53X-3685

L2M



Hi-Tech Seals standard L2M is composed of a steel case with a stainless steel spring, and a NBR lip. The L2M seal is also available in Viton™ and VMQ.



Part Number	Imperial			Metric Equivalent			Garlock Ref. #
	A Shaft Dia.	B Groove Dia.	C Groove Width	A Shaft Dia.	B Groove Dia.	C Groove Width	
O 78759375687L2M	7.875	9.375	0.687	200.02	238.12	17.45	21238-64X-9176
O 80009500687L2M	8.000	9.500	0.687	203.20	241.30	17.45	21238-64X-3921
O 825010250812L2M	8.250	10.250	0.812	209.55	260.35	20.62	21238-64X-4499
O 83759875687L2M	8.375	9.875	0.687	212.72	250.82	17.45	21238-64X-3933
O 850010000687L2M	8.500	10.000	0.687	215.90	254.00	17.45	21238-64X-8453
O 862510125687L2M	8.625	10.125	0.687	219.07	257.17	17.45	21238-64X-3939
O 875010250687L2M	8.750	10.250	0.687	222.25	260.35	17.45	21238-64X-3946
O 900010500687L2M	9.000	10.500	0.687	228.60	266.70	17.45	21238-64X-3954
O 912510625687L2M	9.125	10.625	0.687	231.77	269.87	17.45	21238-64X-3957
O 925010750687L2M	9.250	10.750	0.687	234.95	273.05	17.45	21238-64X-3963
O 937511375812L2M	9.375	11.375	0.812	238.12	288.92	20.62	21238-64X-4610
O 950011250750L2M	9.500	11.250	0.750	241.30	285.75	19.05	21238-64X-3981
O 950011500812L2M	9.500	11.500	0.812	241.30	292.10	20.62	21238-64X-3984
O 975011250687L2M	9.750	11.250	0.687	247.65	285.75	17.45	21238-64X-3985
O 975011750687L2M	9.750	11.750	0.687	247.65	298.45	17.45	21238-64X-9425
O 1000011500687L2M	10.000	11.500	0.687	254.00	292.10	17.45	21238-64X-3992
O 1000012000812L2M	10.000	12.000	0.812	254.00	304.80	20.62	21238-64X-3997
O 1000012250812L2M	10.000	12.250	0.812	254.00	311.15	20.62	21238-64X-3669
O 1012511625687L2M	10.125	11.625	0.687	257.17	295.27	17.45	21238-64X-3999
O 1012511750687L2M	10.125	11.750	0.687	257.17	298.45	17.45	21238-64X-5989
O 1025011750687L2M	10.250	11.750	0.687	260.35	298.45	17.45	21238-64X-4004
O 1050012000687L2M	10.500	12.000	0.687	266.70	304.80	17.45	21238-64X-4011
O 1050012500812L2M	10.500	12.500	0.812	266.70	317.50	20.62	21238-64X-4017
O 1075012250687L2M	10.750	12.250	0.687	273.05	311.15	17.45	21238-64X-4023
O 1075012500875L2M	10.750	12.500	0.875	273.05	317.50	22.22	21238-64X-4033
O 1075012750625L2M	10.750	12.750	0.625	273.05	323.85	15.87	21238-64X-3014
O 1087512375687L2M	10.875	12.375	0.687	276.22	314.32	17.45	21238-64X-4027
O 1087512500687L2M	10.875	12.500	0.687	276.22	317.50	17.45	21238-64X-4028
O 1100012500687L2M	11.000	12.500	0.687	279.40	317.50	17.45	21238-64X-4611
O 1100013500687L2M	11.000	13.500	0.687	279.40	342.90	17.45	21238-64X-3060
O 1125012750750L2M	11.250	12.750	0.750	285.75	323.85	19.05	21238-64X-4046
O 1125012750687L2M	11.250	12.750	0.687	285.75	323.85	17.45	21238-64X-4527