

MR

E

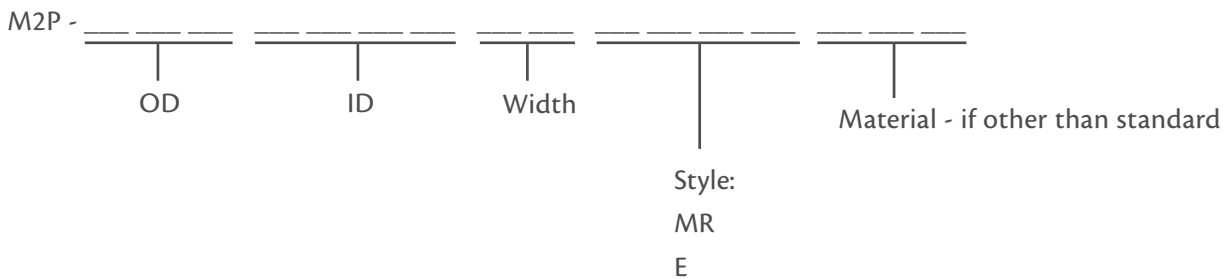
Seal Ring Materials	Temp. Range
15% Glass Reinforced PTFE	-200°C to 260°C
40% Bronze Reinforced PTFE	-200°C to 260°C
15% Glass, 5% Moly Reinforced PTFE	-200°C to 260°C
25% Carbon Graphite Reinforced PTFE	-200°C to 260°C
40% Glass Reinforced Nylon	-240°C to 149°C
Loader Materials	
Nitrile (NBR)	-40°C to 120°C
Viton™/Fluorocarbon (FKM)	-26°C to 204°C

## Product Description

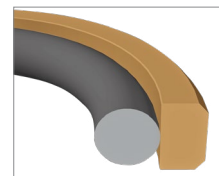
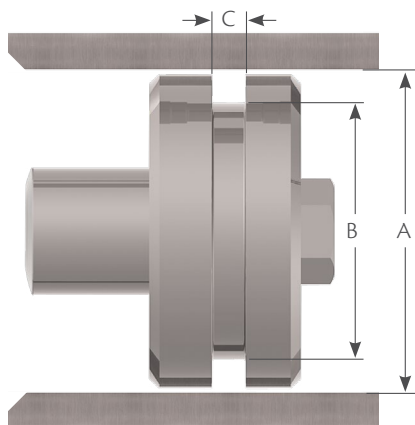
Piston rings are excellent for sealing in hydraulic and pneumatic cylinder applications. They provide excellent low friction with strong chemical resistance. By changing the material components or ring, the temperature range, frictional characteristics, extrusion resistance, and wearability of the piston seal can be altered.

We stock MR and E styles in a bronze reinforced PTFE ring and a nitrile loader. Additional material combinations are available upon request.

## Part Numbers:



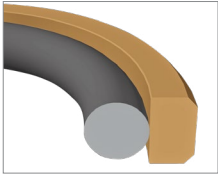
**Example:** M2P0635242MRMGV - Piston Ring, MR Style, Moly Glass, Viton™ Loader, 63.00 mm OD, 52.00 mm ID, 4.20 mm Width.



Our standard MR piston rings are composed of a bronze reinforced PTFE ring and a nitrile loader.

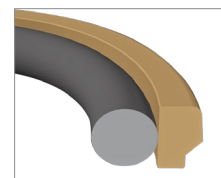
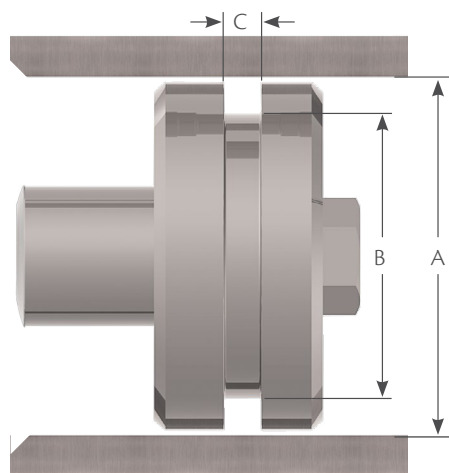
Part Number	A Bore Diameter	B Groove Diameter	C Groove Width
M2P 105122MR	10.00	5.10	2.20
M2P 127122MR	12.00	7.10	2.20
M2P 149222MR	14.00	9.20	2.20
M2P 157532MR	15.00	7.50	3.20
M2P 168532MR	16.00	8.50	3.20
M2P 1810532MR	18.00	10.50	3.20
M2P 2012532MR	20.00	12.50	3.20
M2P 2214532MR	22.00	14.50	3.20
M2P 2516934MR	25.00	16.90	3.40
M2P 2517532MR	25.00	17.50	3.20
M2P 2820532MR	28.00	20.50	3.20
M2P 3022532MR	30.00	22.50	3.20
M2P 3224532MR	32.00	24.50	3.20
M2P 3527532MR	35.00	27.50	3.20
M2P 362542MR	36.00	25.00	4.20
M2P 3628532MR	36.00	28.50	3.20
M2P 3652932MR	36.50	29.00	3.20
M2P 3830532MR	38.00	30.50	3.20
M2P 402942MR	40.00	29.00	4.20
M2P 423142MR	42.00	31.00	4.20
M2P 42325MR	42.00	32.00	5.00
M2P 4532546MR	45.00	32.50	4.60
M2P 453442MR	45.00	34.00	4.20
M2P 5034663MR	50.00	34.60	6.30
M2P 503942MR	50.00	39.00	4.20
M2P 554442MR	55.00	44.00	4.20
M2P 564542MR	56.00	45.00	4.20
M2P 6044563MR	60.00	44.50	6.30
M2P 604942MR	60.00	49.00	4.20
M2P 635242MR	63.00	52.00	4.20
M2P 655442MR	65.00	54.00	4.20
M2P 7054563MR	70.00	54.50	6.30
M2P 70557MR	70.00	55.00	7.00

Part Number	A Bore Diameter	B Groove Diameter	C Groove Width
M2P 705842MR	70.00	58.00	4.20
M2P 705942MR	70.00	59.00	4.20
M2P 7558873MR	75.00	58.80	7.30
M2P 7559563MR	75.00	59.50	6.30
M2P 756442MR	75.00	64.00	4.20
M2P 805981MR	80.00	59.00	8.10
M2P 8064563MR	80.00	64.50	6.30
M2P 856481MR	85.00	64.00	8.10
M2P 8569563MR	85.00	69.50	6.30
M2P 906981MR	90.00	69.00	8.10
M2P 9074563MR	90.00	74.50	6.30
M2P 957481MR	95.00	74.00	8.10
M2P 9579563MR	95.00	79.50	6.30
M2P 1007981MR	100.00	79.00	8.10
M2P 10084563MR	100.00	84.50	6.30
M2P 10086272MR	100.00	86.20	7.20
M2P 1028655MR	102.00	86.00	5.50
M2P 10589563MR	105.00	89.50	6.30
M2P 1108981MR	110.00	89.00	8.10
M2P 11094563MR	110.00	94.50	6.30
M2P 1159481MR	115.00	94.00	8.10
M2P 11599563MR	115.00	99.50	6.30
M2P 1209981MR	120.00	99.00	8.10
M2P 120104563MR	120.00	104.50	6.30
M2P 12510481MR	125.00	104.00	8.10
M2P 125109563MR	125.00	109.50	6.30
M2P 13010881MR	130.00	108.00	8.10
M2P 13010981MR	130.00	109.00	8.10
M2P 130114563MR	130.00	114.50	6.30
M2P 13511481MR	135.00	114.00	8.10
M2P 14011981MR	140.00	119.00	8.10
M2P 15012981MR	150.00	129.00	8.10
M2P 16013981MR	160.00	139.00	8.10



Part Number	A Bore Diameter	B Groove Diameter	C Groove Width
M2P 17014981MR	170.00	149.00	8.10
M2P 175159563MR	175.00	159.50	6.30
M2P 18015981MR	180.00	159.00	8.10
M2P 18516481MR	185.00	164.00	8.10
M2P 19016981MR	190.00	169.00	8.10
M2P 20017981MR	200.00	179.00	8.10
M2P 20018279MR	200.00	182.00	7.90
M2P 21018981MR	210.00	189.00	8.10
M2P 21519481MR	215.00	194.00	8.10
M2P 22019981MR	220.00	199.00	8.10
M2P 22520481MR	225.00	204.00	8.10
M2P 23020981MR	230.00	209.00	8.10
M2P 24021981MR	240.00	219.00	8.10
M2P 25022981MR	250.00	229.00	8.10
M2P 26023981MR	260.00	239.00	8.10
M2P 27024981MR	270.00	249.00	8.10
M2P 28025981MR	280.00	259.00	8.10
M2P 29026981MR	290.00	269.00	8.10
M2P 30027581MR	300.00	275.00	8.10
M2P 30027981MR	300.00	279.00	8.10
M2P 31028981MR	310.00	289.00	8.10
M2P 32029981MR	320.00	299.00	8.10
M2P 33030581MR	330.00	305.00	8.10
M2P 330305581MR	330.00	305.50	8.10
M2P 340315581MR	340.00	315.50	8.10
M2P 350325581MR	350.00	325.50	8.10
M2P 360335581MR	360.00	335.50	8.10

Part Number	A Bore Diameter	B Groove Diameter	C Groove Width
M2P 370345581MR	370.00	345.50	8.10
M2P 380355581MR	380.00	355.50	8.10
M2P 390365581MR	390.00	365.50	8.10
M2P 40037581MR	400.00	375.00	8.10
M2P 400375581MR	400.00	375.50	8.10
M2P 410385581MR	410.00	385.50	8.10
M2P 420395581MR	420.00	395.50	8.10
M2P 430405581MR	430.00	405.50	8.10
M2P 440415581MR	440.00	415.50	8.10
M2P 450425581MR	450.00	425.50	8.10
M2P 460435581MR	460.00	435.50	8.10
M2P 480455581MR	480.00	455.50	8.10
M2P 500475581MR	500.00	475.50	8.10
M2P 520495581MR	520.00	495.50	8.10
M2P 530505581MR	530.00	505.50	8.10
M2P 540515581MR	540.00	515.50	8.10
M2P 55052581MR	550.00	525.00	8.10
M2P 560535581MR	560.00	535.50	8.10
M2P 580555581MR	580.00	555.50	8.10
M2P 600575581MR	600.00	575.50	8.10
M2P 630605581MR	630.00	605.50	8.10
M2P 650625581MR	650.00	625.50	8.10
M2P 70067295MR	700.00	672.00	9.50
M2P 71068295MR	710.00	682.00	9.50
M2P 72069295MR	720.00	692.00	9.50
M2P 80077295MR	800.00	772.00	9.50
M2P 96593795MR	965.00	937.00	9.50



Our standard E piston rings are composed of a bronze reinforced PTFE ring and a nitrile loader.

Part Number	A Bore Diameter	B Groove Diameter	C Groove Width
M2P 105122E	10.00	5.10	2.20
M2P 127122E	12.00	7.10	2.20
M2P 127222E	12.00	7.20	2.20
M2P 149122E	14.00	9.10	2.20
M2P 1510122E	15.00	10.10	2.20
M2P 2012732E	20.00	12.70	3.20
M2P 2517732E	25.00	17.70	3.20
M2P 2817342E	28.00	17.30	4.20
M2P 3019342E	30.00	19.30	4.20
M2P 3524342E	35.00	24.30	4.20
M2P 4029342E	40.00	29.30	4.20
M2P 4534342E	45.00	34.30	4.20
M2P 4837342E	48.00	37.30	4.20
M2P 503942E	50.00	39.00	4.20
M2P 5039342E	50.00	39.30	4.20
M2P 5544342E	55.00	44.30	4.20
M2P 5544342E	55.00	44.30	4.20
M2P 6044963E	60.00	44.90	6.30
M2P 6347963E	63.00	47.90	6.30
M2P 6549963E	65.00	49.90	6.30
M2P 7054963E	70.00	54.90	6.30
M2P 7559963E	75.00	59.90	6.30
M2P 8064963E	80.00	64.90	6.30
M2P 10084563E	100.00	84.50	6.30
M2P 10084963E	100.00	84.90	6.30
M2P 10589963E	105.00	89.90	6.30
M2P 11094963E	110.00	94.90	6.30

Part Number	A Bore Diameter	B Groove Diameter	C Groove Width
M2P 11599963E	115.00	99.90	6.30
M2P 120104963E	120.00	104.90	6.30
M2P 125109963E	125.00	109.90	6.30
M2P 140119581E	140.00	119.50	8.10
M2P 140124963E	140.00	124.90	6.30
M2P 150134963E	150.00	134.90	6.30
M2P 160144963E	160.00	144.90	6.30
M2P 17014981E	170.00	149.00	8.10
M2P 170154963E	170.00	154.90	6.30
M2P 180164963E	180.00	164.90	6.30
M2P 200179581E	200.00	179.50	8.10
M2P 210189581E	210.00	189.50	8.10
M2P 22019981E	220.00	199.00	8.10
M2P 230209581E	230.00	209.50	8.10
M2P 250229581E	250.00	229.50	8.10
M2P 28025681E	280.00	256.00	8.10
M2P 30027681E	300.00	276.00	8.10
M2P 31028681E	310.00	286.00	8.10
M2P 32029681E	320.00	296.00	8.10
M2P 33030681E	330.00	306.00	8.10
M2P 34031681E	340.00	316.00	8.10
M2P 36033681E	360.00	336.00	8.10
M2P 40037681E	400.00	376.00	8.10
M2P 42039681E	420.00	396.00	8.10
M2P 45042681E	450.00	426.00	8.10
M2P 50047681E	500.00	476.00	8.10